

**INCHES**

UNLESS OTHERWISE SPECIFIED,  
ALL DIMENSIONS ARE IN INCHES.

ABM INTERNATIONAL  
2414 INTERNATIONAL  
BLVD. SUITE 100  
EVANSTON, ILLINOIS 60120  
TEL: 708/499-8000  
FAX: 708/499-8007

ABM INTERNATIONAL  
STAND ALONE ADJUSTABLE  
FILLER AND TABLE

DATE: 11-16-01

ISSUE: 1.3

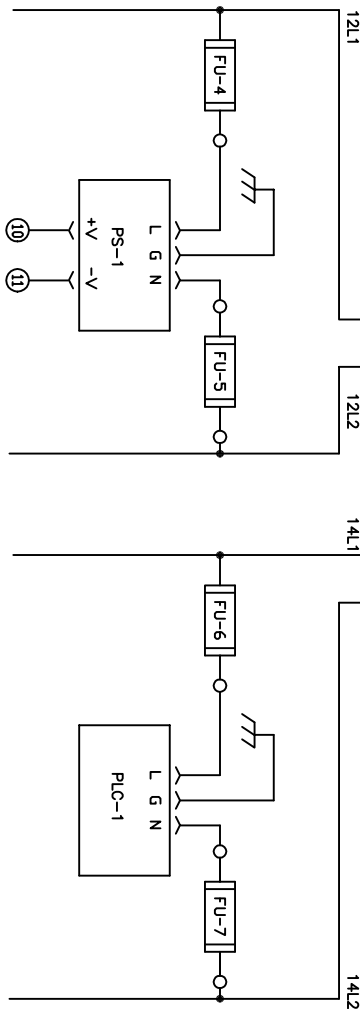
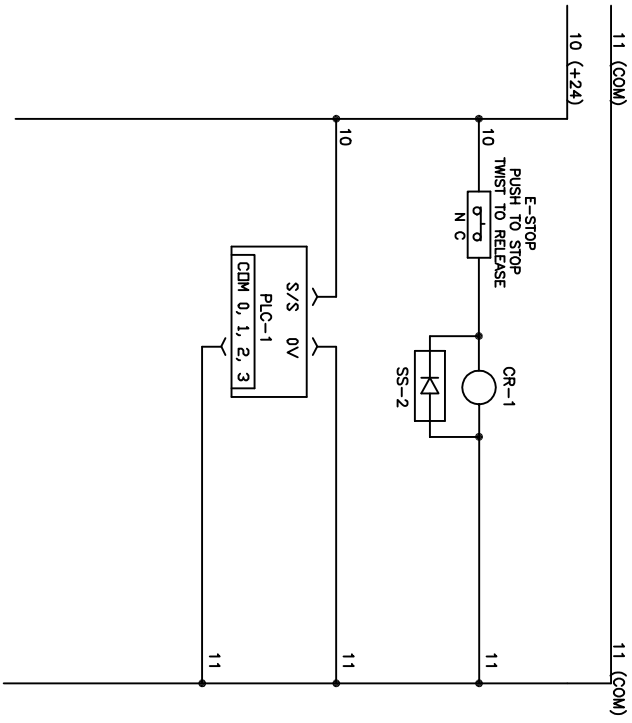
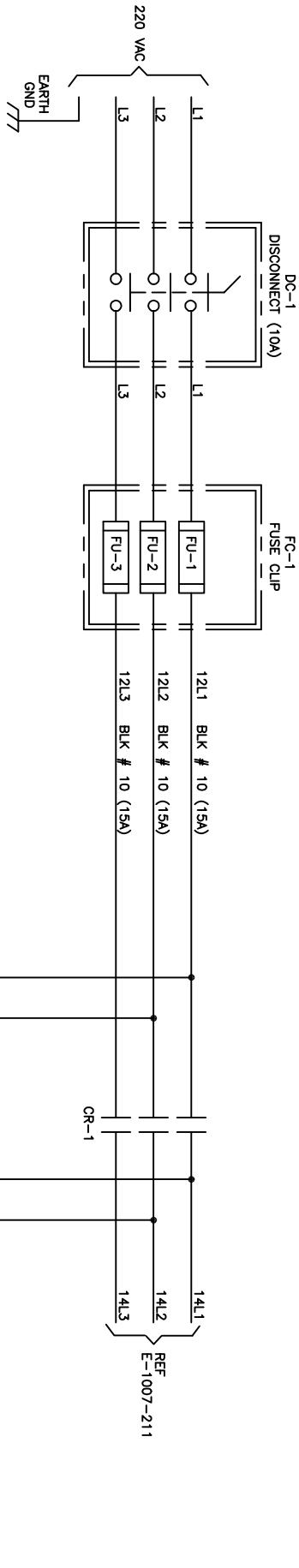
DESIGNER: SCOTT WILL

REVISION: 1

PROJECT NO: E-1007-201

NOTES:

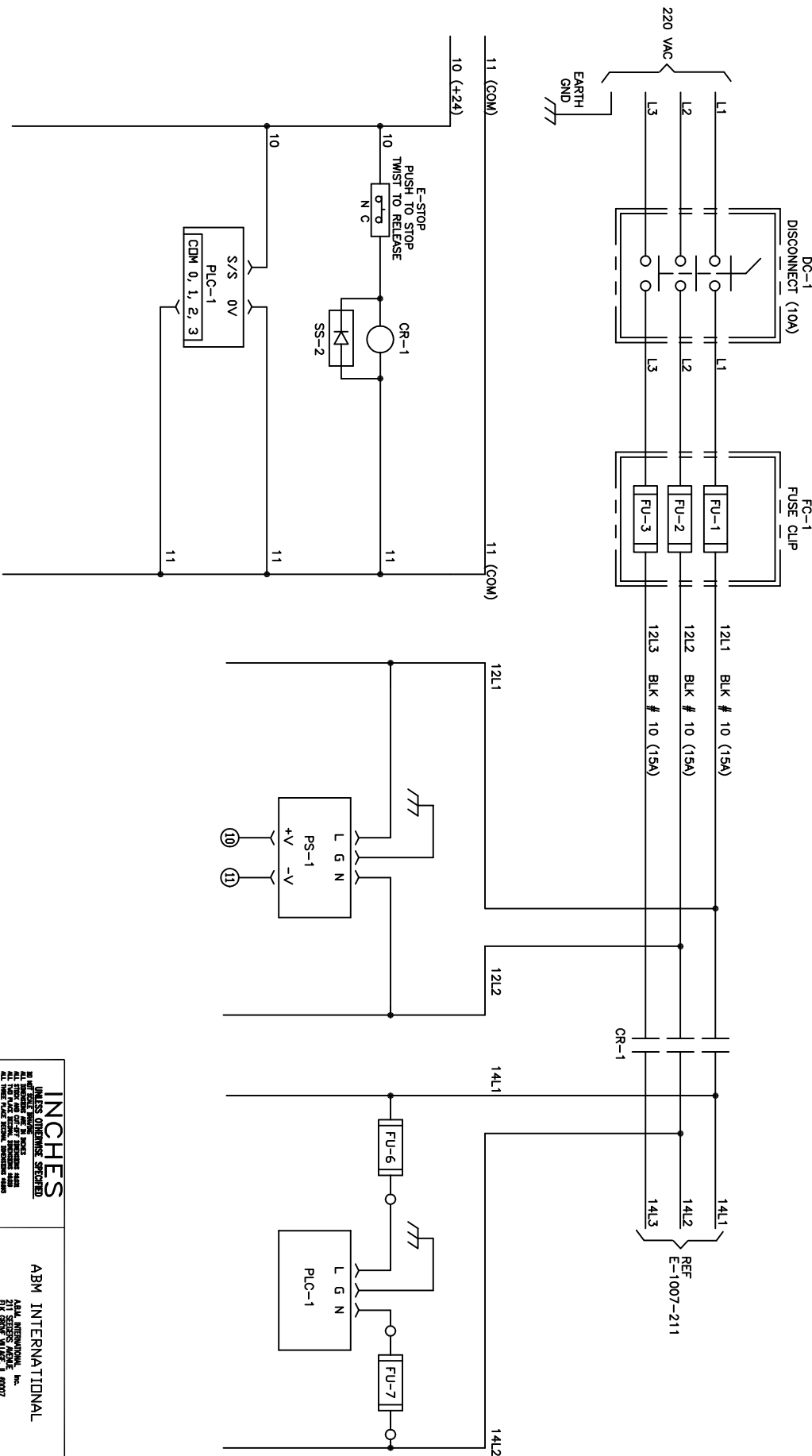
1) CONNECT H1 TO H3 AND H2 TO H4 FOR 230 VAC LINE.



**INCHES**  
UNLESS OTHERWISE SPECIFIED  
ALL DIMENSIONS ARE IN INCHES  
ALL DIMENSIONS ARE TO CENTER UNLESS OTHERWISE SPECIFIED  
ALL DIMENSIONS ARE TO CENTER UNLESS OTHERWISE SPECIFIED  
ALL DIMENSIONS ARE TO CENTER UNLESS OTHERWISE SPECIFIED  
ALL DIMENSIONS ARE TO CENTER UNLESS OTHERWISE SPECIFIED  
ALL DIMENSIONS ARE TO CENTER UNLESS OTHERWISE SPECIFIED

ABM INTERNATIONAL	
1007	
E-1007-210	
1	
1	
E-1007-210	

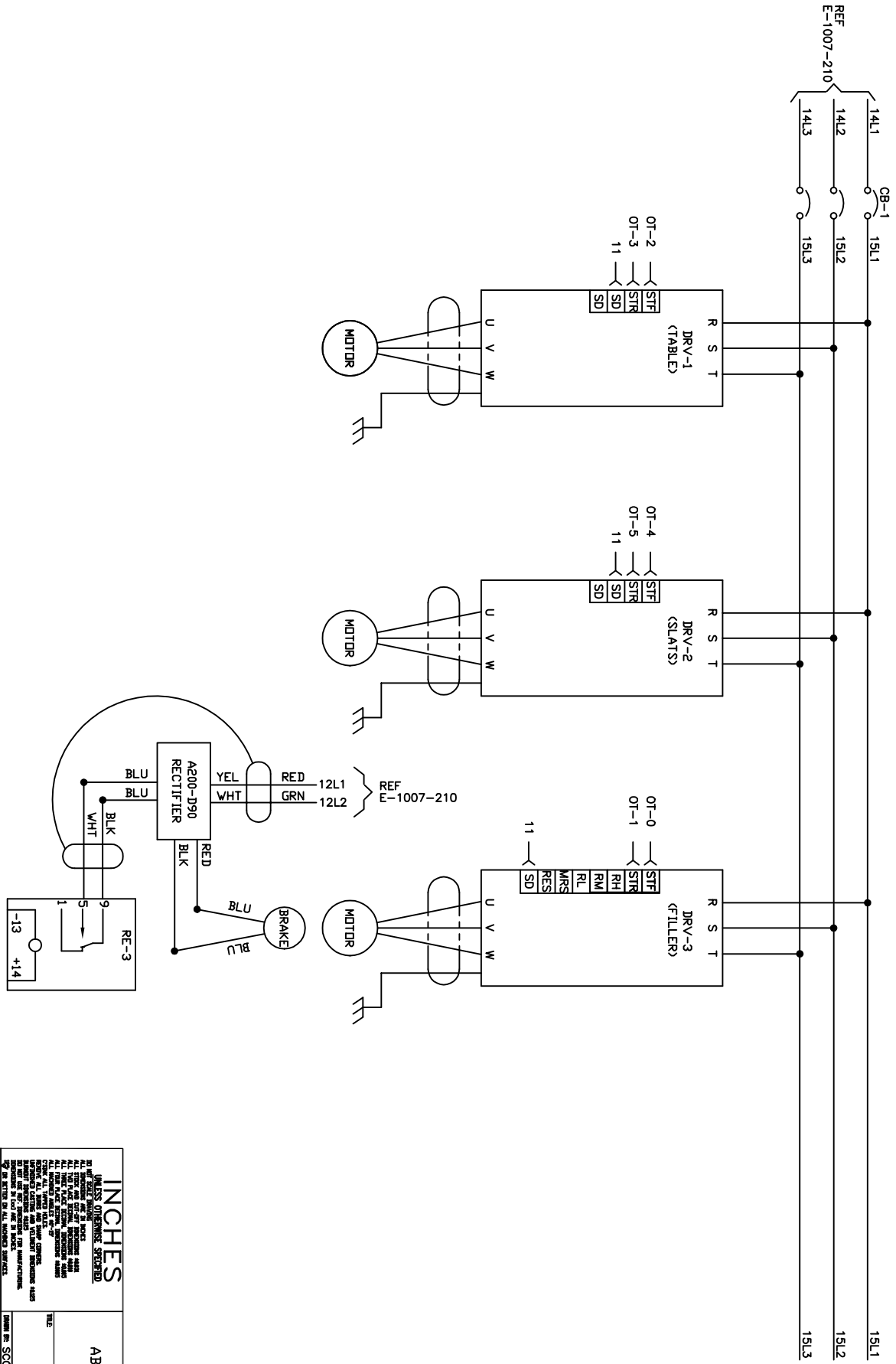
NOTES:  
 1) CONNECT H1 TO H3 AND H2 TO H4 FOR 230 VAC LINE.



INCHES  
 UNLESS OTHERWISE SPECIFIED

ABM INTERNATIONAL  
 ABM INTERNATIONAL, Inc.  
 5150 WILSON AVENUE  
 BAY BRIDGE VALLEY, E 60007

DATE	11-18-01
ISSUED BY	SCOTT WILL
REVISION	1
DESCRIPTION	STAND ALONE ADJUSTABLE FILTER AND TABLE
PROJECT NO.	1007
DRAWN BY	SCOTT WILL
CHECKED BY	SCOTT WILL
SCALE	NONE
SHEET NO.	1
TOTAL SHEETS	1
PROJECT	E-1007-210A



**INCHES**  
 UNLESS OTHERWISE SPECIFIED

ABM INTERNATIONAL  
 2414 INTERNATIONAL AVE.  
 BAY BRIDGE VALLEY, N. CAROLINA 27007

STAND ALONE ADJUSTABLE  
 FILLER AND TABLE

DRAWN BY SCOTT WILL  
 DATE 11-18-01

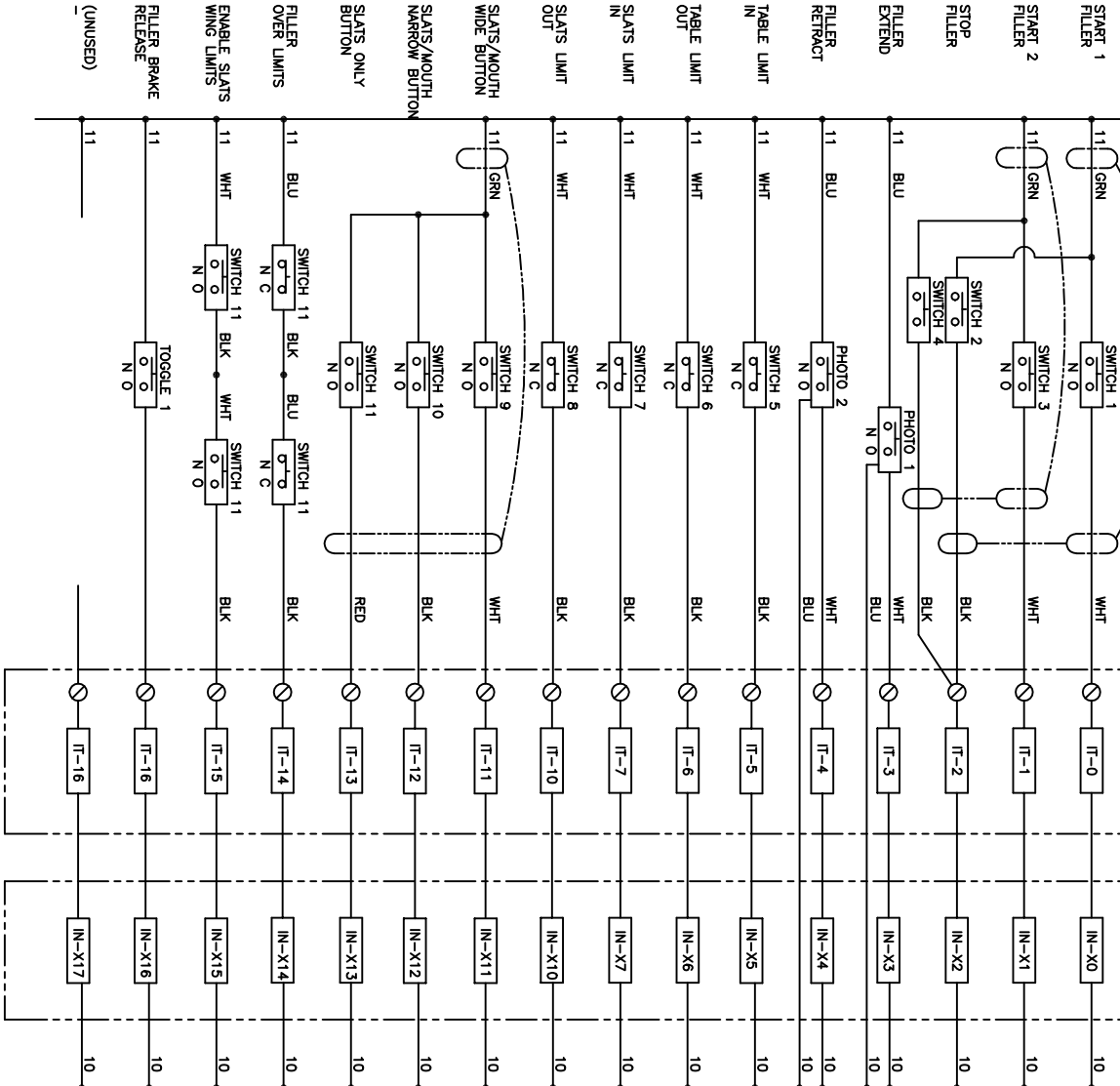
SCALE 1/4" = 1"

SHEET NO. 1 TOTAL SHEETS 1

PROJECT NO. E-1007-211

24V COM  
FROM: SHT 5 11

+24V  
10 FROM: SHT 5



- NOTES:
- 1.) HIGH OFF-STATE VOLTAGES MUST BE SHUNTED WITH A 1K OHM 1 WATT RESISTOR.
  - 2.) DIODE IS REQUIRED FOR INDUCTIVE LOADS.

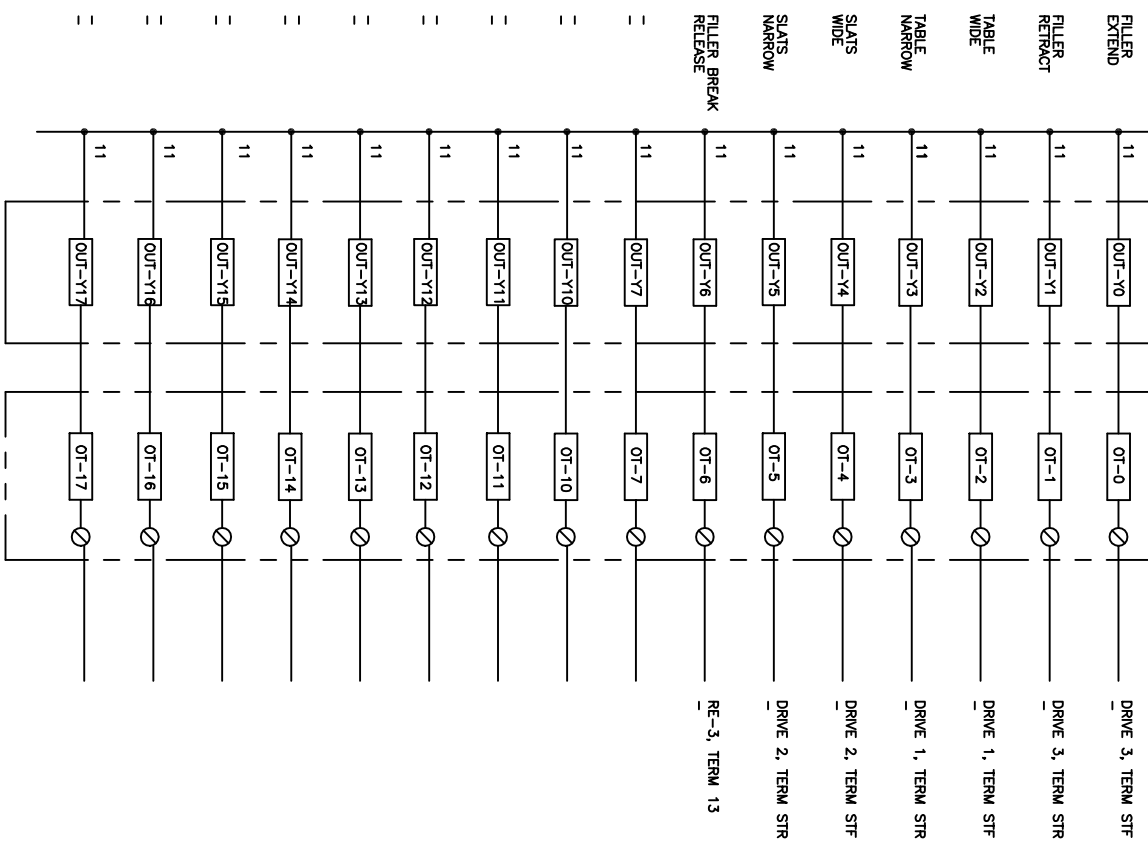
**INCHES**

UNLESS OTHERWISE SPECIFIED

<p>ABM INTERNATIONAL          5416 INTERNATIONAL BLVD.          BAY BRIDGE WALKER, IL 60097</p>	
<p>TITLE          STAND ALONE ADJUSTABLE          FILLER AND TABLE</p>	<p>DATE          11-18-01</p>
<p>DESIGNED BY          SCOTT WILL</p>	<p>ISSUED NONE</p>
<p>DRAWN BY          1007</p>	<p>REVISIONS</p>
<p>SHEET NO.          1</p>	<p>TOTAL SHEETS          1</p>
<p>PROJECT NO.          E-1007-212</p>	

24V COM

FROM: SHT 5 11



- NOTES:
- 1.) HIGH OFF-STATE VOLTAGES MUST BE SHUNTED WITH A 1K OHM 1 WATT RESISTOR.
  - 2.) DIODE IS REQUIRED FOR INDUCTIVE LOADS.

**INCHES**

UNLESS OTHERWISE SPECIFIED, ALL DIMENSIONS ARE IN INCHES. DIMENSIONS IN PARENTHESES ARE IN MILLIMETERS. DIMENSIONS IN PARENTHESES ARE TO BE USED WHEN THE DIMENSIONED PART IS TO BE MANUFACTURED IN METRIC. DIMENSIONS IN PARENTHESES ARE TO BE USED WHEN THE DIMENSIONED PART IS TO BE MANUFACTURED IN METRIC.

ABM INTERNATIONAL  
 2400 WILSON AVENUE  
 ELK GROVE VILLAGE, IL 60007

STAND ALONE ADJUSTABLE  
 FILLER AND TABLE

REV	DATE	BY	CHKD
1	11-16-01		
1			
1			

E-1007-213