

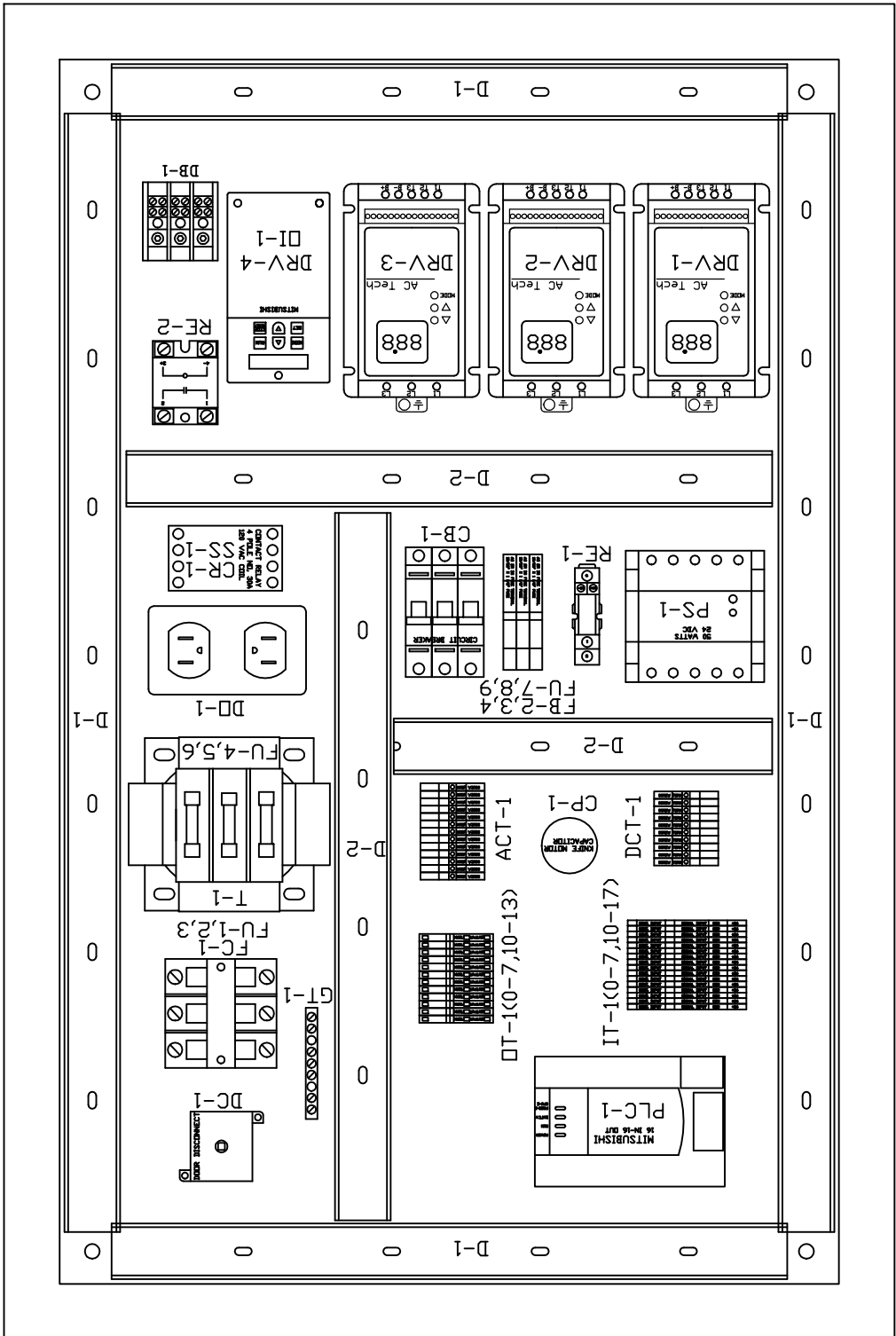
INCHES

UNLESS OTHERWISE SPECIFIED
ALL DIMENSIONS ARE IN INCHES
DIMENSIONS IN PARENTHESES ARE
ALTERNATE DIMENSIONS

ALL DIMENSIONS ARE IN INCHES
DIMENSIONS IN PARENTHESES ARE
ALTERNATE DIMENSIONS
DIMENSIONS ARE TO CENTER UNLESS
OTHERWISE SPECIFIED
DIMENSIONS ARE TO CENTER UNLESS
OTHERWISE SPECIFIED
DIMENSIONS ARE TO CENTER UNLESS
OTHERWISE SPECIFIED
DIMENSIONS ARE TO CENTER UNLESS
OTHERWISE SPECIFIED

ABM INTERNATIONAL
4545 WILSON AVENUE
EVANSTON, ILLINOIS 60207
TEL: 708/491-1007
FAX: 708/491-1008

TITLE: BAIT CUTTER AND FILTER
DRAWN BY: SCOTT WILLIAMS
DATE: 2-29-00
SCALE: 1:3
SHEET NO.: 1
OF 1
PART NO.: E-1007-001



INCHES

UNLESS OTHERWISE SPECIFIED,
ALL DIMENSIONS ARE IN INCHES.

MITSUBISHI ELECTRIC CO. LTD.
2-2-1 HONCHO, KAWASAKI-KU,
KAWASAKI-CITY, CANTON OF
CANADA
ALL DIMENSIONS ARE IN INCHES
UNLESS OTHERWISE SPECIFIED.
ALL DIMENSIONS ARE IN INCHES
UNLESS OTHERWISE SPECIFIED.
ALL DIMENSIONS ARE IN INCHES
UNLESS OTHERWISE SPECIFIED.

ABM INTERNATIONAL
2424 INTERNATIONAL BLVD.
DIX DRIVE WILSON, CA 90097

BATT CUTTER
AND FILER

DATE: 2-29-00

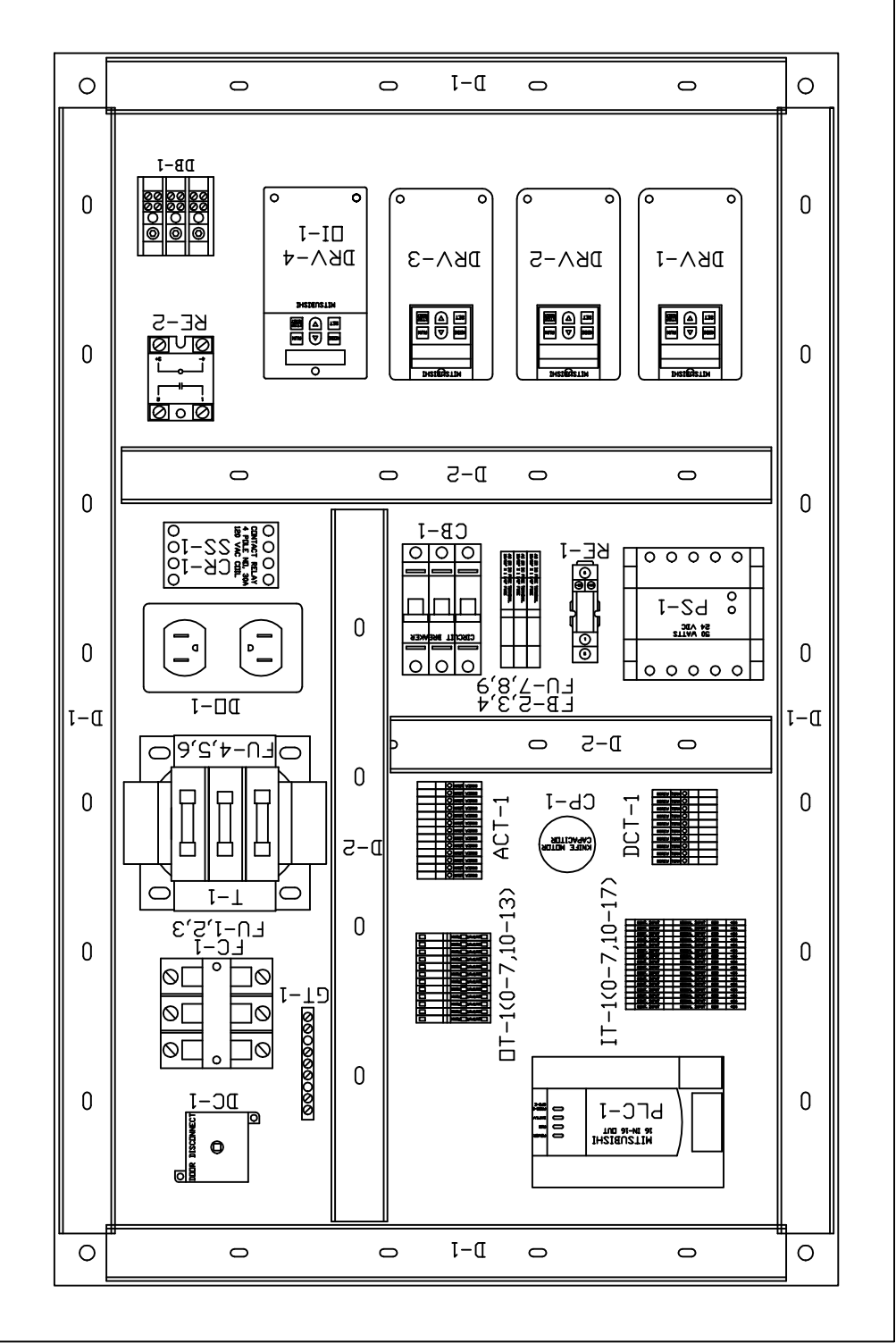
ISSUE: 1-3

REVISION: 1-3

BY: SCOTT WILL

1

E-1007-001A



INCHES
UNLESS OTHERWISE SPECIFIED
ALL DIMENSIONS ARE IN INCHES
ALL DIMENSIONS ARE TO CENTER UNLESS OTHERWISE SPECIFIED
ALL DIMENSIONS ARE TO CENTER UNLESS OTHERWISE SPECIFIED
ALL DIMENSIONS ARE TO CENTER UNLESS OTHERWISE SPECIFIED
ALL DIMENSIONS ARE TO CENTER UNLESS OTHERWISE SPECIFIED
ALL DIMENSIONS ARE TO CENTER UNLESS OTHERWISE SPECIFIED
ALL DIMENSIONS ARE TO CENTER UNLESS OTHERWISE SPECIFIED
ALL DIMENSIONS ARE TO CENTER UNLESS OTHERWISE SPECIFIED
ALL DIMENSIONS ARE TO CENTER UNLESS OTHERWISE SPECIFIED

ABM INTERNATIONAL
ABM INTERNATIONAL, Inc.
2500 W. 100TH AVENUE
BENSON, AZ 85610

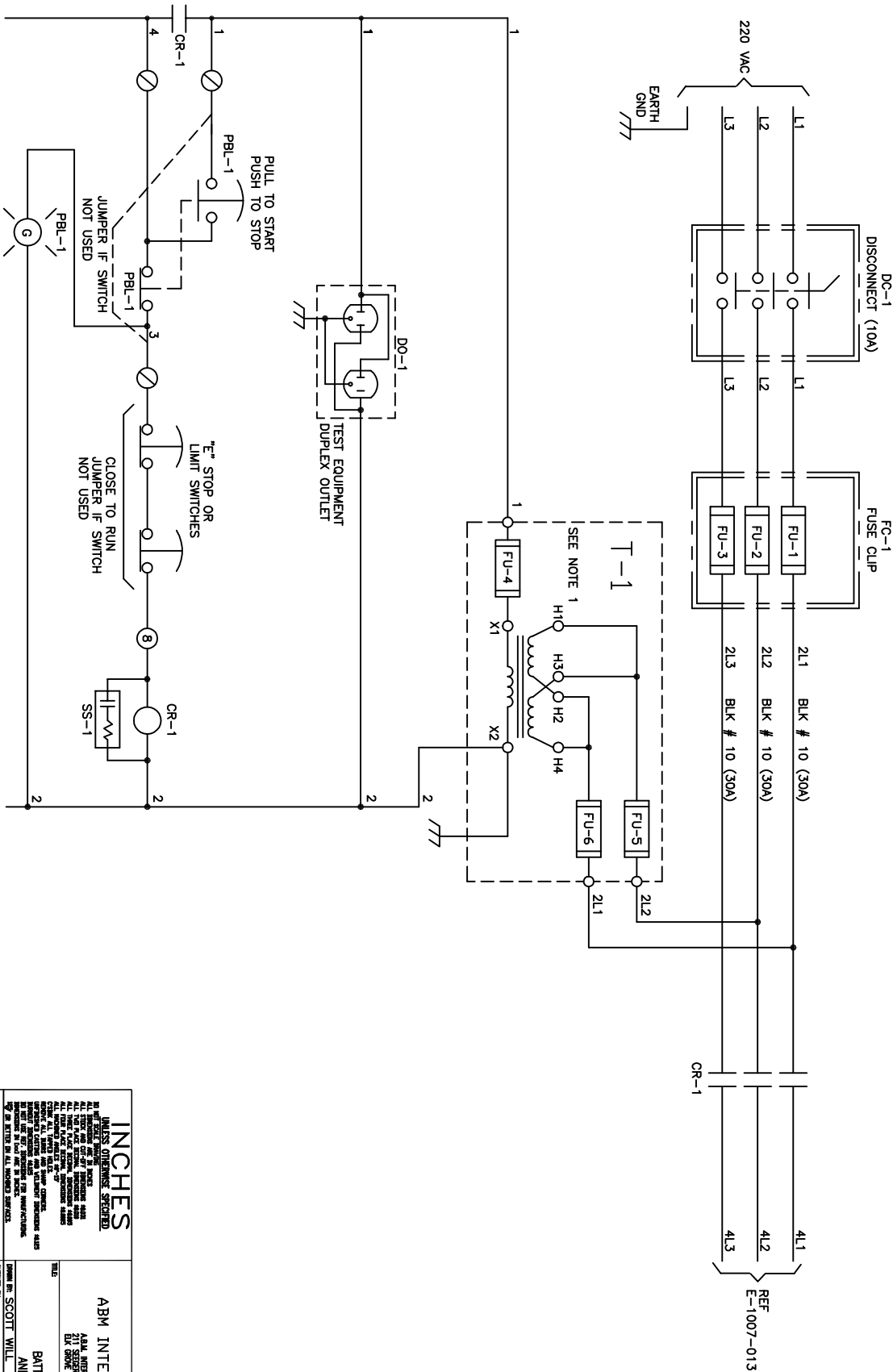
BATT CUTTER AND FILER

DATE: 2-29-00
PAGE: 1-3

DRAWN BY: SCOTT WILLIAMS
CHECKED BY: []
SHEET NO. 1 FROM SERIES 1
E-1007-001

NOTES:

1) CONNECT H1 TO H3 AND H2 TO H4 FOR 230 VAC LINE.

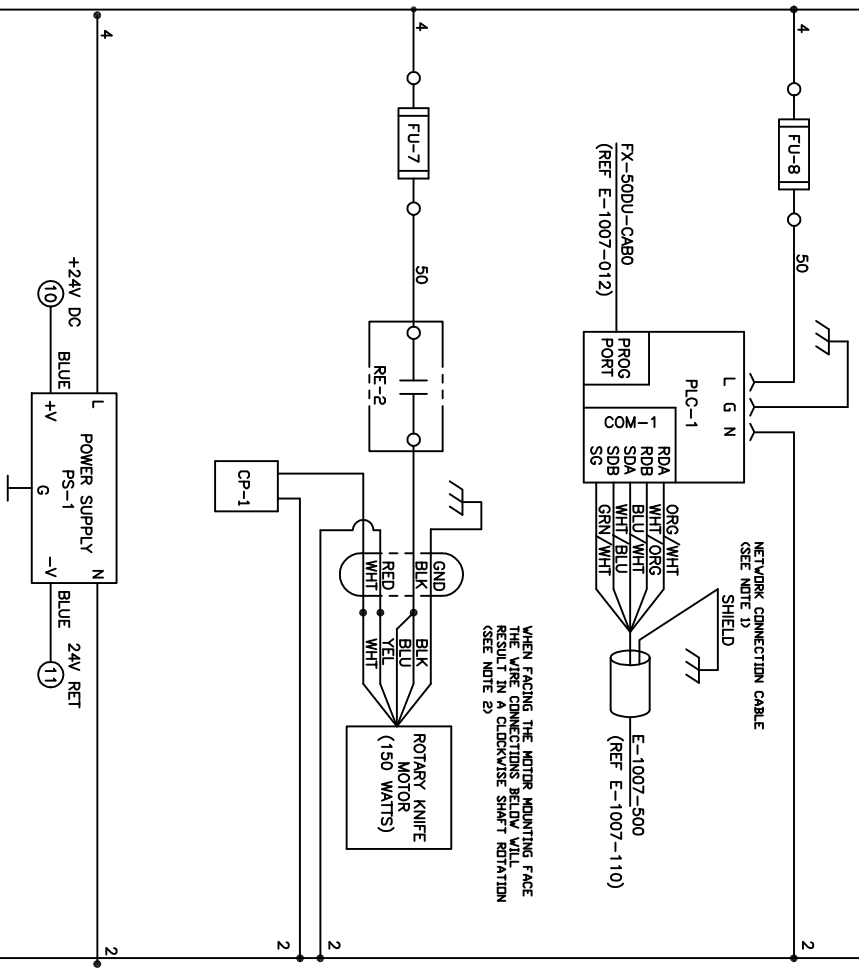


REF
E-1007-013

<p>INCHES</p> <p>UNLESS OTHERWISE SPECIFIED ALL DIMENSIONS ARE IN INCHES ALL DIMENSIONS ARE TO FACE UNLESS OTHERWISE NOTED ALL DIMENSIONS ARE TO CENTER UNLESS OTHERWISE NOTED ALL DIMENSIONS ARE TO DIMENSION LINES UNLESS OTHERWISE NOTED ALL DIMENSIONS ARE TO DIMENSION POINTS UNLESS OTHERWISE NOTED ALL DIMENSIONS ARE TO DIMENSION POINTS UNLESS OTHERWISE NOTED ALL DIMENSIONS ARE TO DIMENSION POINTS UNLESS OTHERWISE NOTED ALL DIMENSIONS ARE TO DIMENSION POINTS UNLESS OTHERWISE NOTED ALL DIMENSIONS ARE TO DIMENSION POINTS UNLESS OTHERWISE NOTED ALL DIMENSIONS ARE TO DIMENSION POINTS UNLESS OTHERWISE NOTED</p>		<p>ABM INTERNATIONAL</p> <p>ABM INTERNATIONAL, Inc. 614 BROADWAY, SUITE 200 ELK GROVE VILLAGE, IL 60007</p>	
		<p>DATE: 2-29-00</p>	
<p>TITLE:</p> <p>BMT CUTTER AND FILTER</p>		<p>DESIGNED BY: SCOTT WILL</p>	
<p>DRAWN BY: SCOTT WILL</p>		<p>CHECKED BY: DO7</p>	
<p>DATE: 1</p>		<p>NO. OF SHEETS: 1</p>	
<p>PROJECT NO.: E-1007-010</p>		<p>REVISION NO.: 1</p>	

HOT FROM: SH 1

NEUT FROM: SH 1



WHEN FACING THE MOTOR MOUNTING FACE THE WIRE CONNECTIONS BELOW WILL RESULT IN A CLOCKWISE SHAFT ROTATION (SEE NOTE 2)

NETWORK CONNECTION CABLE (SEE NOTE 1)

FX-50DU-CABO (REF E-1007-012)

PLC-1
L G N
PROG PORT
RDA
SDB
SC

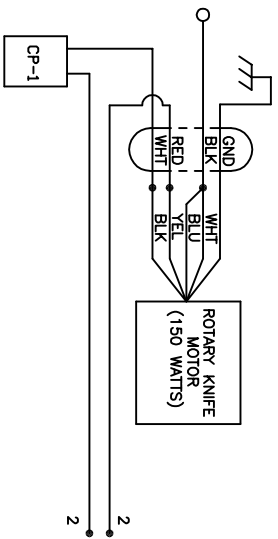
ORG/WHT
WHT/ORG
BLU/WHT
WHT/BLU
GRN/WHT

E-1007-500 (REF E-1007-110)

ROTARY KNIFE MOTOR (150 WATTS)

CP-1

POWER SUPPLY PS-1
+24V DC BLUE (10)
+V
-V
BLUE 24V RET (11)



NOTE 2: WHEN FACING THE MOTOR MOUNTING FACE THE WIRE CONNECTIONS BELOW WILL RESULT IN A COUNTER CLOCKWISE SHAFT ROTATION

NOTE 1: THERE ARE 2 (230 OHM) RESISTORS NOT SHOWN IN THE ORIGINAL DRAWING. THESE RESISTORS ARE CONNECTED RDA AND RDB, SDB AND SDB.

INCHES

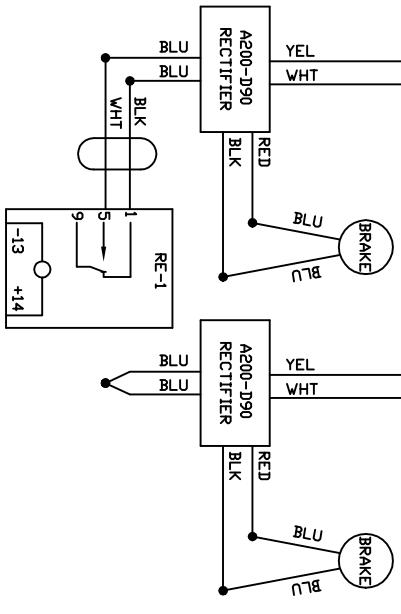
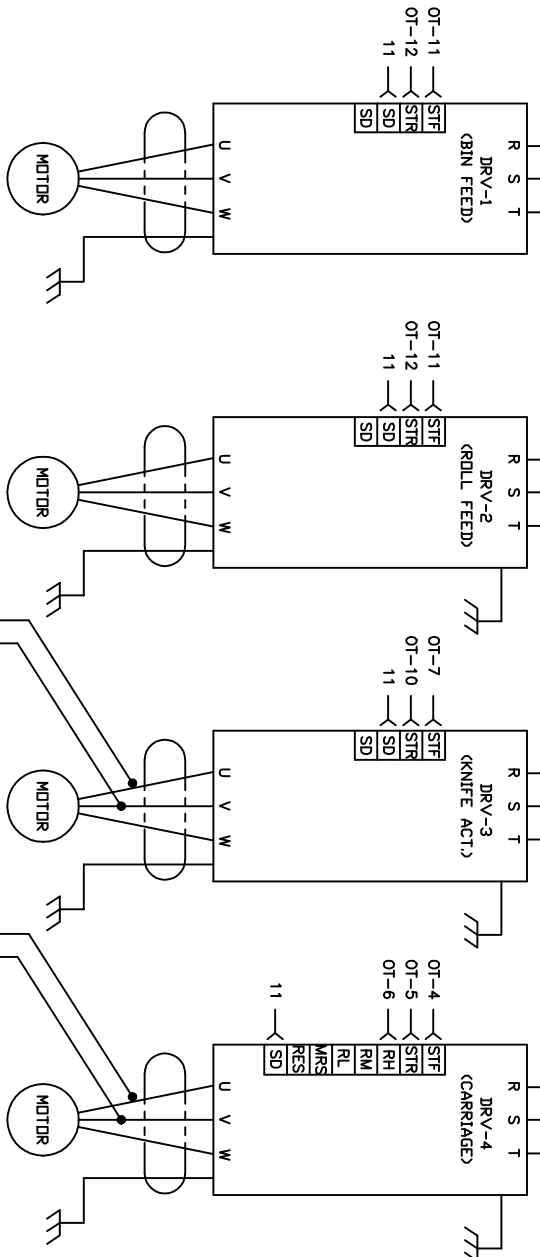
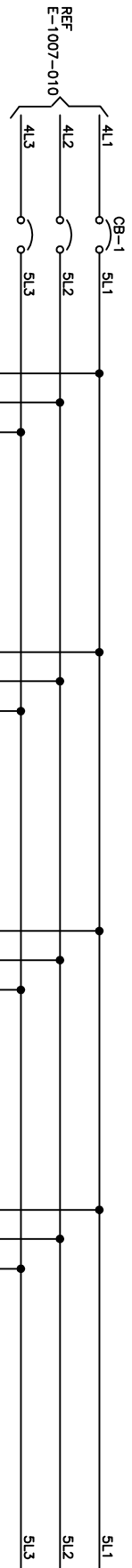
ABM INTERNATIONAL

ABM INTERNATIONAL, Inc.
BLK BONE VALVE, L 0007

BMT CUTTER AND FILLER

DATE: 2-29-00

REVISION	NO.	DATE	BY
1	1		
DRAWN BY: SCOTT WILL			
CHECKED BY: DOZ			
APPROVED BY: [Signature]			
TITLE: BMT CUTTER AND FILLER			
PART NO.: E-1007-011			



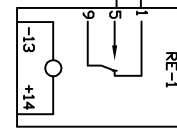
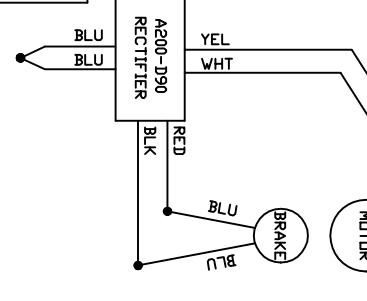
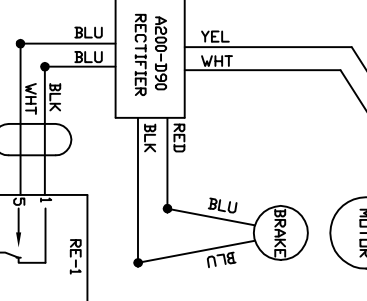
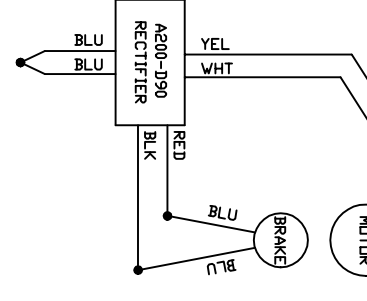
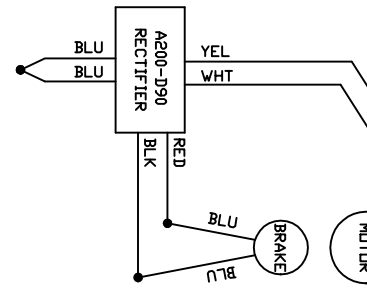
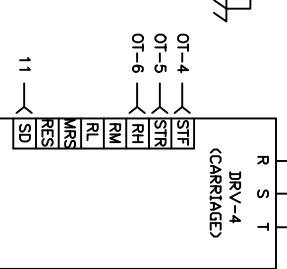
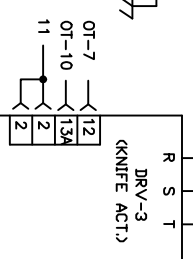
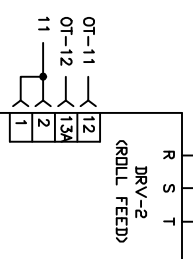
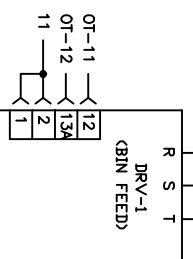
INCHES
UNLESS OTHERWISE SPECIFIED

ALL DIMENSIONS ARE IN INCHES UNLESS OTHERWISE SPECIFIED
DIMENSIONS ARE TO CENTER UNLESS OTHERWISE SPECIFIED
DIMENSIONS ARE TO CENTER UNLESS OTHERWISE SPECIFIED
DIMENSIONS ARE TO CENTER UNLESS OTHERWISE SPECIFIED
DIMENSIONS ARE TO CENTER UNLESS OTHERWISE SPECIFIED
DIMENSIONS ARE TO CENTER UNLESS OTHERWISE SPECIFIED
DIMENSIONS ARE TO CENTER UNLESS OTHERWISE SPECIFIED

ABM INTERNATIONAL
AVAL, ILLINOIS, U.S.A.
ELECTRICAL ENGINEERING
ELECTRICAL ENGINEERING
ELECTRICAL ENGINEERING
ELECTRICAL ENGINEERING

TITLE
BMT CUTTER
AND FILLER

DESIGNED BY	DATE
1	2-29-00
CHECKED BY	DATE
1	
PROJECT NO.	REVISION NO.
1	1
E-1007-013	



INCHES
UNLESS OTHERWISE SPECIFIED.

ABM INTERNATIONAL
5414 INTERNATIONAL
BLK DRIVE WILSON, IL 60097

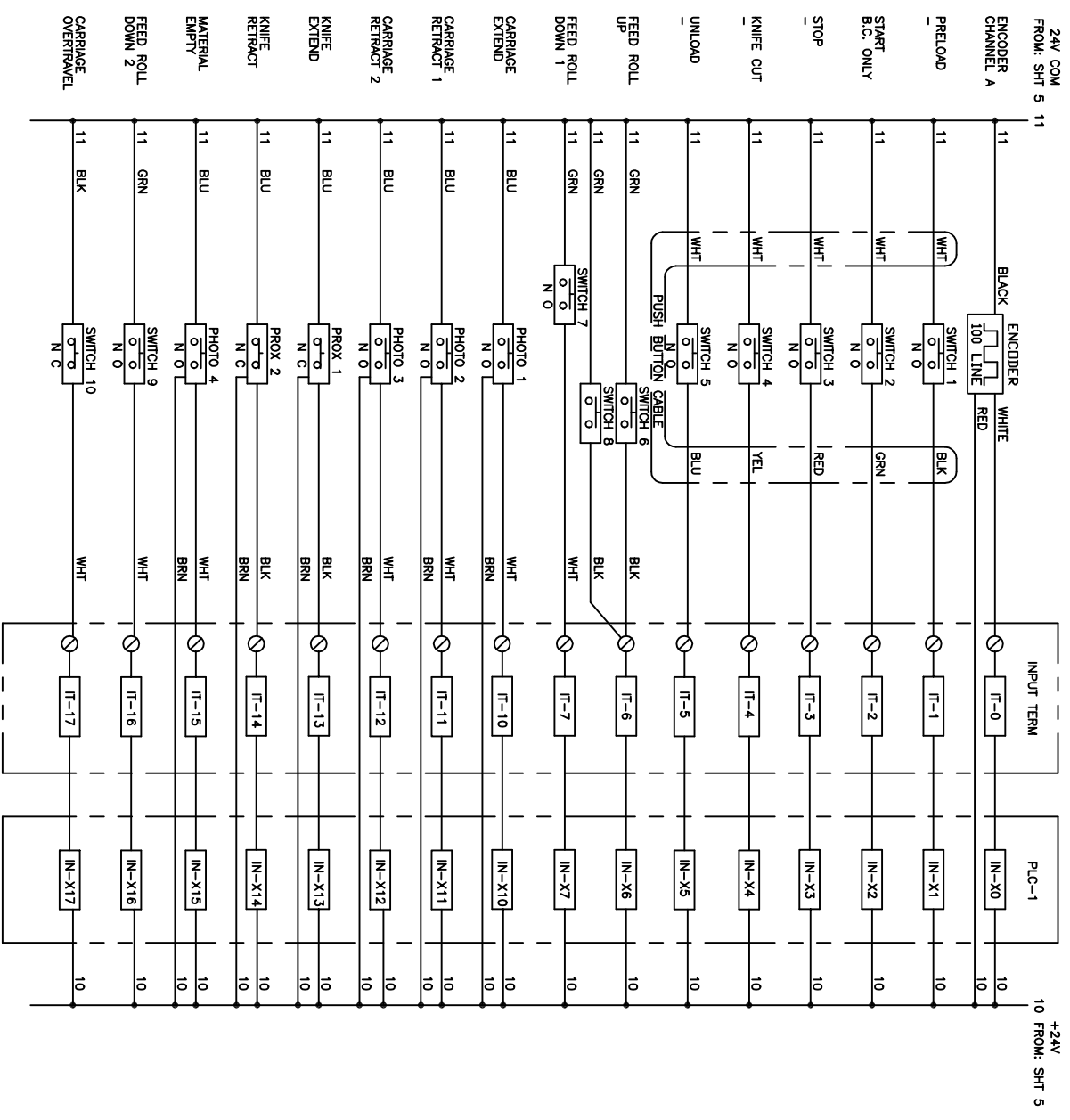
BATT CUTTER
AND FILLER

DATE: 2-29-00

ISSUED BY: SCOTT WILL

ISSUED NONE

1 1 E-1007-013A



NOTES:
 1) HIGH OFF-STATE VOLTAGES MUST BE SHUNTED WITH A 1K OHM 1 WATT RESISTOR.
 2) DIODE IS REQUIRED FOR INDUCTIVE LOADS.

INCHES

UNLESS OTHERWISE SPECIFIED

ABM INTERNATIONAL
 ABAK INTERNATIONAL, Inc.
 616 BROWN VALLEY, IL 60007

BAT CUTTER
 AND FILTER

DATE: 2-29-00

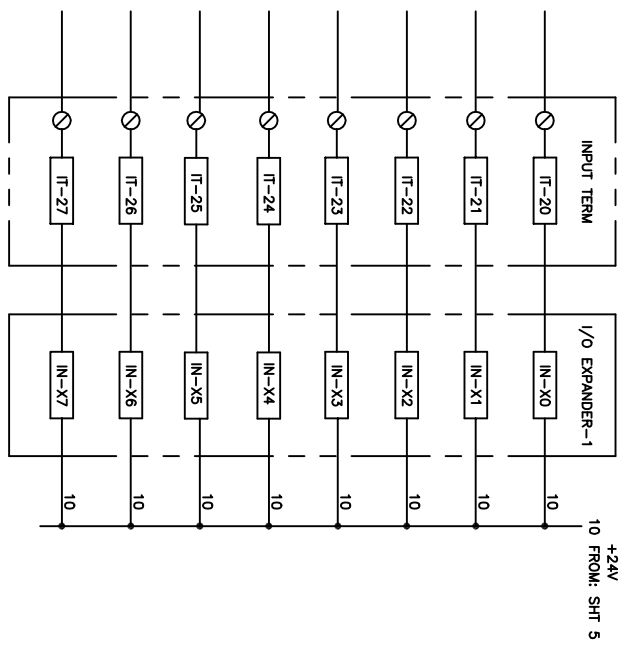
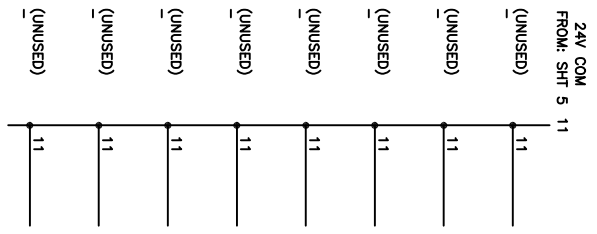
DESIGNED BY: SCOTT WILL

REVISED BY: 007

ISSUED BY: 1

DATE: 1

REVISION NO: E-1007-014



- NOTES:
- 1.) HIGH OFF-STATE VOLTAGES MUST BE SHUNTED WITH A 1K OHM 1 WATT RESISTOR.
 - 2.) DIODE IS REQUIRED FOR INDUCTIVE LOADS.

INCHES

UNLESS OTHERWISE SPECIFIED

ABM INTERNATIONAL
 ABM INTERNATIONAL, Inc.
 6145 W. 127TH AVE., SUITE 200
 BIRMGHAM, ALABAMA 35244
 TEL: 205/988-1000 FAX: 205/988-1007

TITLE: BATT CUTTER TWO DANCER TOWERS

DRAWN BY: SCOTT WILL DATE: 2-29-00

CHECKED BY: DO7

DESIGNED BY: DO7

REVISION NO. 1 WORK SHEETS 1

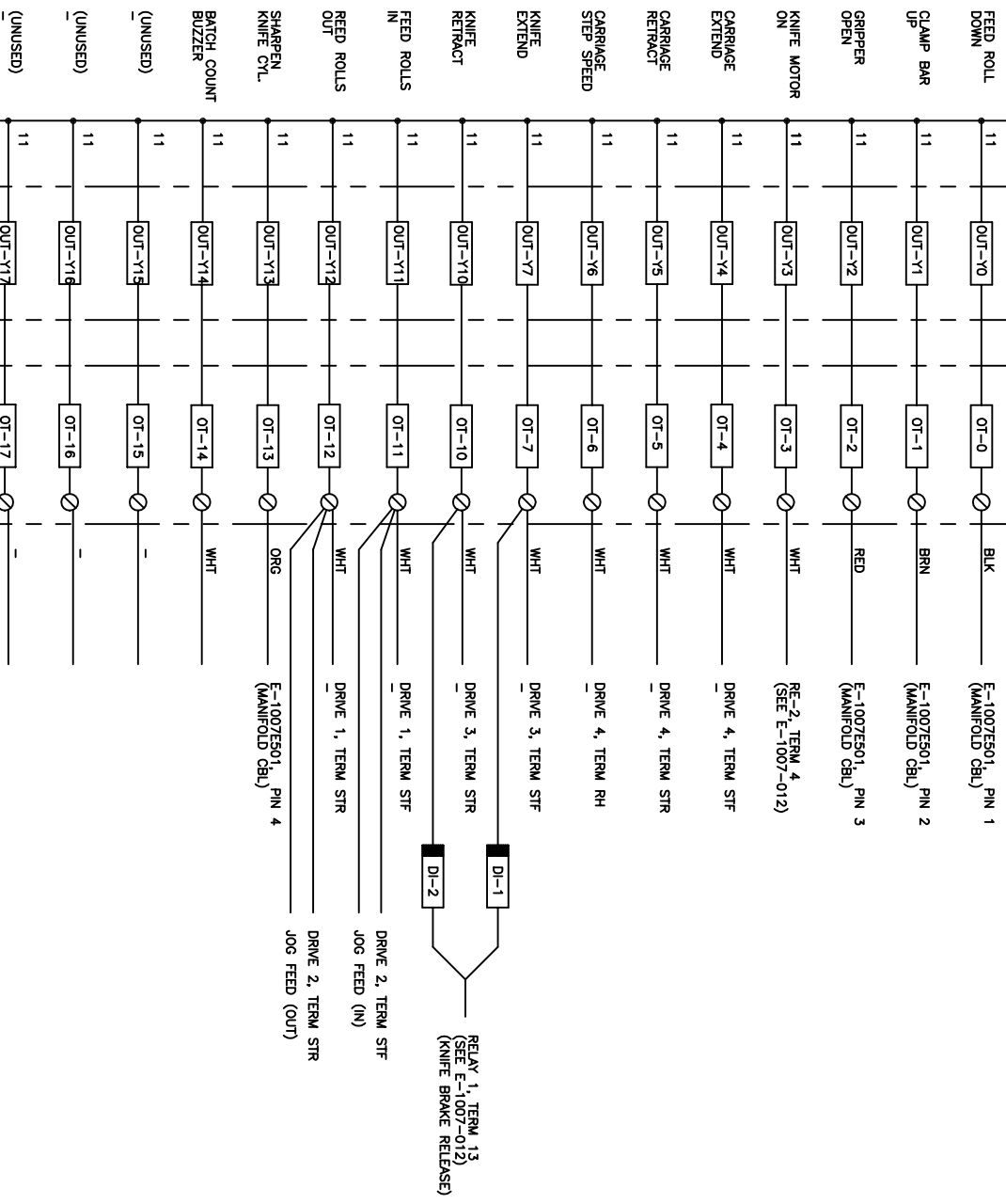
ISSUED BY: DO7

DATE: 2-29-00

PROJECT NO. E-1007-015

24V COM

FROM: SHFT 5 11



- NOTES:
- 1.) HIGH OFF-STATE VOLTAGES MUST BE SHUNTED WITH A 1K OHM 1 WATT RESISTOR.
 - 2.) DIODE IS REQUIRED FOR INDUCTIVE LOADS.

INCHES

UNLESS OTHERWISE SPECIFIED
ALL DIMENSIONS ARE IN INCHES
AND DECIMALS THEREOF ARE IN THIRDS OF AN INCH
ALL DIMENSIONS ARE TO CENTER UNLESS OTHERWISE NOTED
TOLERANCES ARE TO CENTER UNLESS OTHERWISE NOTED
DIMENSIONS IN PARETHESIS ARE FOR INFORMATION ONLY
AND ARE NOT TO BE USED FOR MANUFACTURING PURPOSES
FOR A COMPLETE LIST OF DIMENSIONS SEE DRAWING E-1007-016

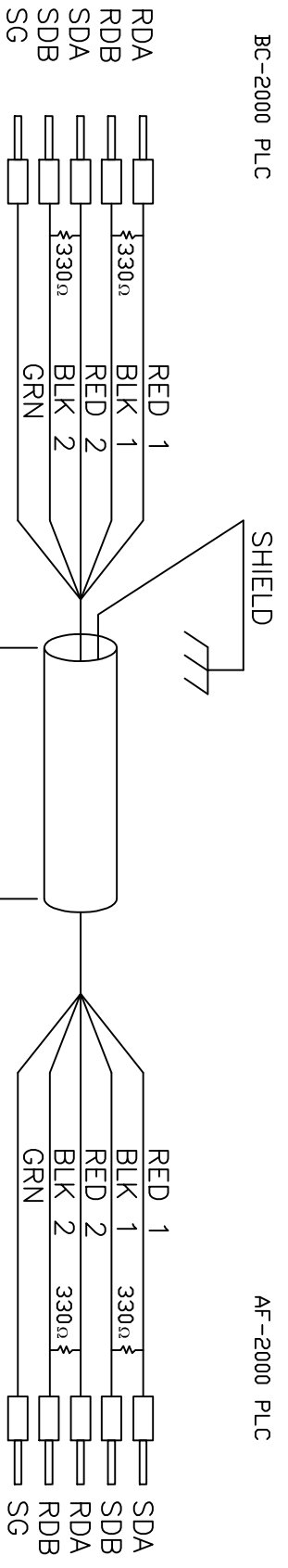
ABM INTERNATIONAL
AVAL RESEARCH, Inc.
P.O. BOX 148
ELK GROVE VILLAGE, IL 60007

TITLE: BAPT CUTTER AND FILTER

DRAWN BY: SCOTT WILL
DATE: 12-18-00

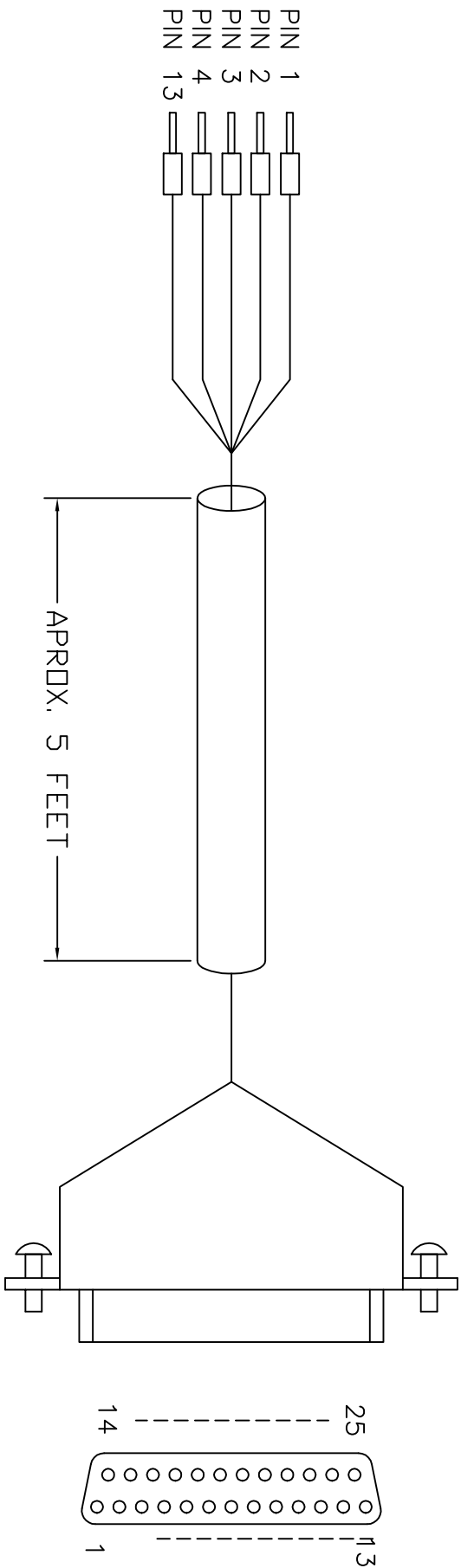
DESIGNED BY: DO7
CHECKED BY: []

DATE: 12-18-00
SHEET NO: 1 OF 1
PART NUMBER: E-1007-016



NOTE 1: USE 3 PAIR TWISTED PAIR NETWORK
CABLE WITH 22-24 GAGE WIRE
AND SHIELD AS SHOWN.

INCHES	
UNLESS OTHERWISE SPECIFIED ALL DIMENSIONS ARE IN INCHES ALL DIMENSIONS ARE TO CENTER UNLESS NOTED OTHERWISE ALL DIMENSIONS ARE TO FACE UNLESS NOTED OTHERWISE ALL DIMENSIONS ARE TO CENTER UNLESS NOTED OTHERWISE ALL DIMENSIONS ARE TO FACE UNLESS NOTED OTHERWISE ALL DIMENSIONS ARE TO CENTER UNLESS NOTED OTHERWISE ALL DIMENSIONS ARE TO FACE UNLESS NOTED OTHERWISE ALL DIMENSIONS ARE TO CENTER UNLESS NOTED OTHERWISE ALL DIMENSIONS ARE TO FACE UNLESS NOTED OTHERWISE ALL DIMENSIONS ARE TO CENTER UNLESS NOTED OTHERWISE ALL DIMENSIONS ARE TO FACE UNLESS NOTED OTHERWISE	
ABM INTERNATIONAL ABM INTERNATIONAL, Inc. 6100 N. 24th Street, Suite 100 Scottsdale, AZ 85255	DATE: 2-29-00
DESIGNED BY: SCOTT WILL	DRAWN BY:
CHECKED BY: SCOTT WILL	DATE: -
SCALE: 1	PROJECT NO: E-1007-500

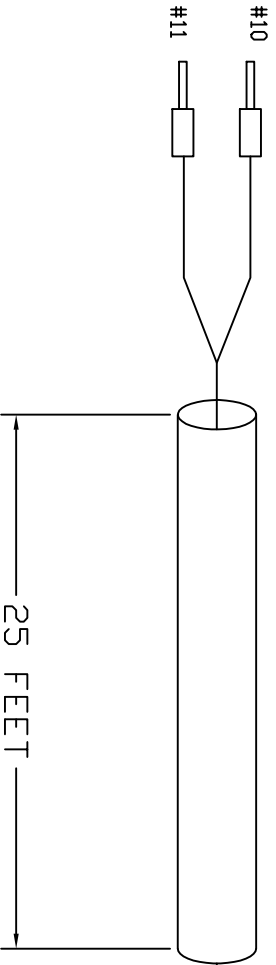


25 PIN SOCKET CONNECTION

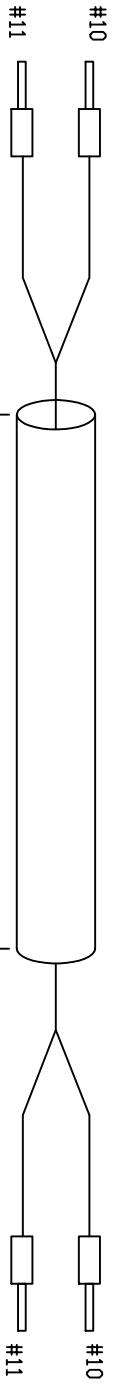
NOTE 1: SMC CABLE PN: VVZS3000-21A-2 (3M LENGTH)
 NOTE 2: OTHERWISE USE 22 - 24 GAGE WIRE.

INCHES			UNLESS OTHERWISE SPECIFIED		
<small> ALL DIMENSIONS ARE IN INCHES AND DECIMALS THEREOF. ALL DIMENSIONS ARE TO BE TAKEN FROM THE EXTERNAL SURFACE UNLESS OTHERWISE SPECIFIED. ALL DIMENSIONS ARE TO BE TAKEN FROM THE CENTERLINE UNLESS OTHERWISE SPECIFIED. ALL DIMENSIONS ARE TO BE TAKEN FROM THE CENTERLINE UNLESS OTHERWISE SPECIFIED. ALL DIMENSIONS ARE TO BE TAKEN FROM THE CENTERLINE UNLESS OTHERWISE SPECIFIED. ALL DIMENSIONS ARE TO BE TAKEN FROM THE CENTERLINE UNLESS OTHERWISE SPECIFIED. ALL DIMENSIONS ARE TO BE TAKEN FROM THE CENTERLINE UNLESS OTHERWISE SPECIFIED. ALL DIMENSIONS ARE TO BE TAKEN FROM THE CENTERLINE UNLESS OTHERWISE SPECIFIED. ALL DIMENSIONS ARE TO BE TAKEN FROM THE CENTERLINE UNLESS OTHERWISE SPECIFIED. ALL DIMENSIONS ARE TO BE TAKEN FROM THE CENTERLINE UNLESS OTHERWISE SPECIFIED. </small>					
ABM INTERNATIONAL ABM INTERNATIONAL, Inc. 614 S. WOODLAND BLVD. SUITE 100 WOODLAND, IL 60097			DRAWN BY: SCOTT WILLIAMS CHECKED BY: DAVE MOYER DATE: 3-29-00		
TITLE: VALVE MANIFOLD CABLE PART CUTTER AND FILTER			PART NUMBER: E-1007-501		
QUANTITY: 1		UNIT: EACH		TOTAL: 1	
SHEET NO.: 1		TOTAL SHEETS: 1		PART NUMBER: E-1007-501	

FOR FILLER CABINET



FOR BATT CUTTER CABINET



NOTE 1: USE TWO WIRE CABLE,
18 - 20 GAGE.

INCHES UNLESS OTHERWISE SPECIFIED <small> ALL DIMENSIONS ARE IN INCHES UNLESS NOTED OTHERWISE ALL DIMENSIONS ARE TO CENTER UNLESS NOTED OTHERWISE ALL DIMENSIONS ARE TO FACE UNLESS NOTED OTHERWISE ALL DIMENSIONS ARE TO THE CENTERLINE UNLESS NOTED OTHERWISE ALL DIMENSIONS ARE TO THE OUTSIDE UNLESS NOTED OTHERWISE DIMENSIONS TO THE CENTERLINE ARE INDICATED BY CENTERLINE DIMENSION LINES DIMENSIONS TO THE OUTSIDE ARE INDICATED BY DIMENSION LINES DIMENSIONS TO THE FACE ARE INDICATED BY DIMENSION LINES DIMENSIONS TO THE EDGE ARE INDICATED BY DIMENSION LINES DIMENSIONS TO THE HOLE ARE INDICATED BY DIMENSION LINES DIMENSIONS TO THE EDGE OF A HOLE ARE INDICATED BY DIMENSION LINES DIMENSIONS TO THE CENTER OF A HOLE ARE INDICATED BY DIMENSION LINES DIMENSIONS TO THE CENTER OF A HOLE ARE INDICATED BY DIMENSION LINES DIMENSIONS TO THE CENTER OF A HOLE ARE INDICATED BY DIMENSION LINES DIMENSIONS TO THE CENTER OF A HOLE ARE INDICATED BY DIMENSION LINES </small>	ABM INTERNATIONAL <small> ABM INTERNATIONAL, INC. 5415 WEST 13TH AVENUE DENVER, COLORADO 80202 </small>	
	<small> DRAWN BY SCOTT WILLIAMS DATE 3-29-00 </small>	
	<small> TITLE 24 VOLT POWER CABLE FOR FILLER BATT CUTTER AND FILLER </small>	
<small> SHEET NO. 1 </small>	<small> TOTAL SHEETS 1 </small>	<small> ORDER NO. E-1007-502 </small>